

7272101001

TPM Fuse Panel

-/+24 to 48V DC



Positions Per Bus
8

Max Per Position
30 Amps

Bus Capacity
150 Amps

GENERAL

Dimensions	19.00" W x 1.75" H x 11.250" D
Rack Space	1U
Weight	6.0 lbs.
Mounting	19" WECCO/EIA (23" brackets available)
Mtg. Pos.	Flush, 4" or 5" Offset
Finish	Black Textured Powder Coat

ELECTRICAL

Input	Nominal Voltage	-/+24-48V DC
	Voltage Range	-/+19-60V DC
	Number of Buses	2
	Intr. Device Rating	175 Amps
Output	Max Fuse Rating	30 Amp
	Continuous Load Rating	24 Amps

ALARMING

Indicators	Green (Power)/Red (Alarm)
Function	Form C relay contacts for remote fuse and power fail indication
Conn. Type	Solderless Wire Wrap (18 to 30 AWG)
Rating	DC 30W/AC 50VA

CONNECTIONS

Input	2 Hole Lug	1/4" stud x 5/8" spacing
	Wire Range	Up to 2/0 AWG
	Max. Terminal Width	0.640"
	Tightening Torque	40 in-lb (4.5 Nm)
Output	Barrier Strip Output	#6 Sems Screw for Terminals
	Wire Range	10 to 22 AWG
	Max. Terminal Width	0.312"
Ground Bus	2 Hole Lug	1/4" stud x 1" spacing
	Wire Range	6 AWG lug supplied with panel

ENVIRONMENT

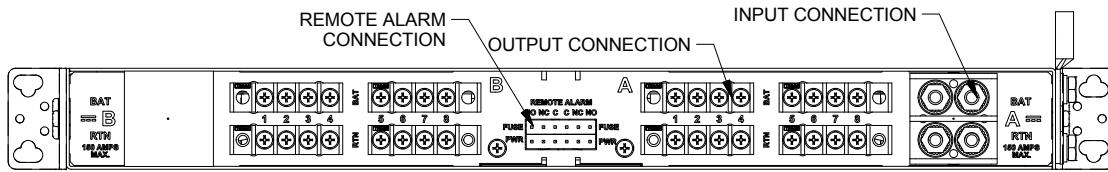
Short Term Op Temp	-5° C to +55° C
Ambient	Up to 50° C
Store Temp	-40° C to +70° C
Humidity	0 to 95% non-condensing
Power Dissipation	56.4 Watts max

STANDARDS

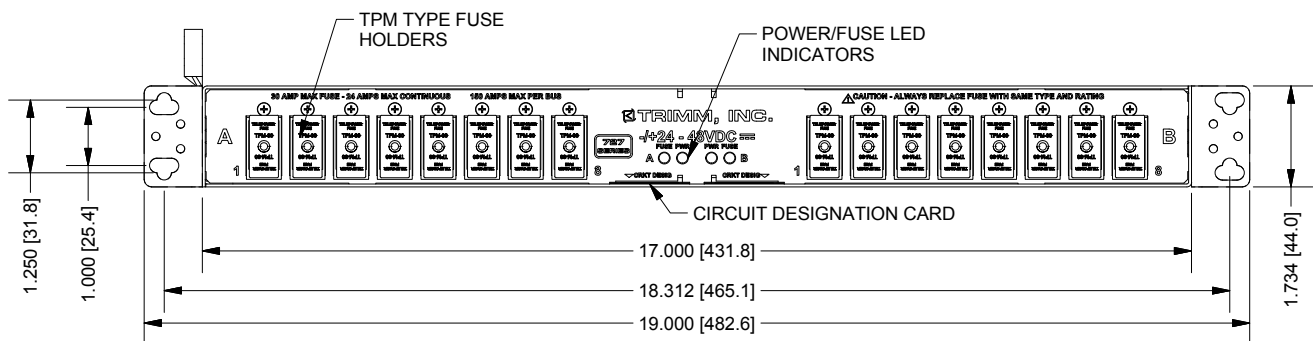
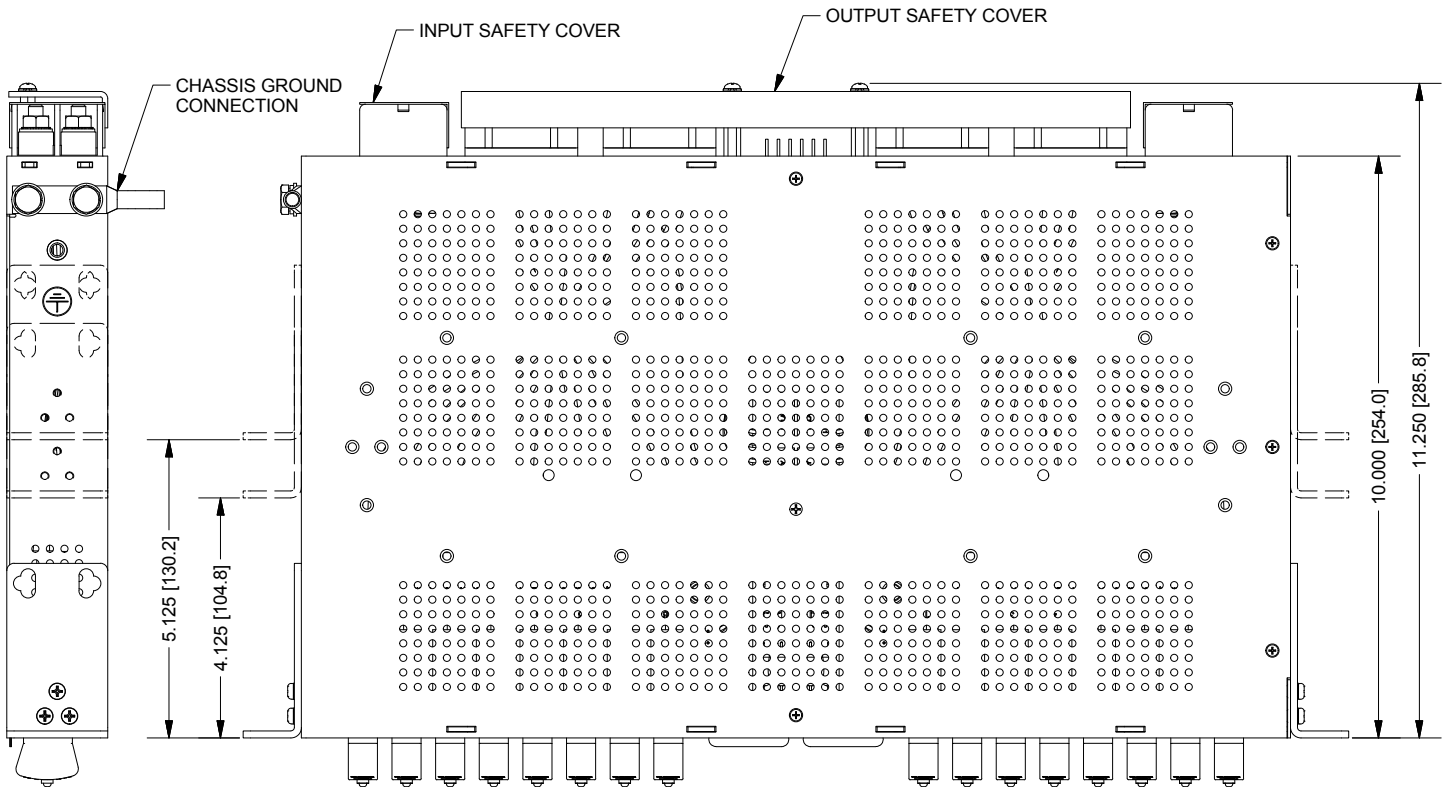
Safety <small>(Listed)</small>	UL 60950-1/UL 1801/CSA C22.2 No.60950-1/EN 60950-1/IEC 60950-1
Telcordia	NEBS Level 3 (GR-63/GR-1089)

8A/8B TPM Fuse Panel, Stud Input, Barrier Strip Output

7272101001



REAR VIEW ROTATED



NOTES

Trimm has all of the TPM fuses you need. Go to www.trimminc.com and click on fuses to choose the amperage you need. Order the 0300163121 kit for 23" mounting.